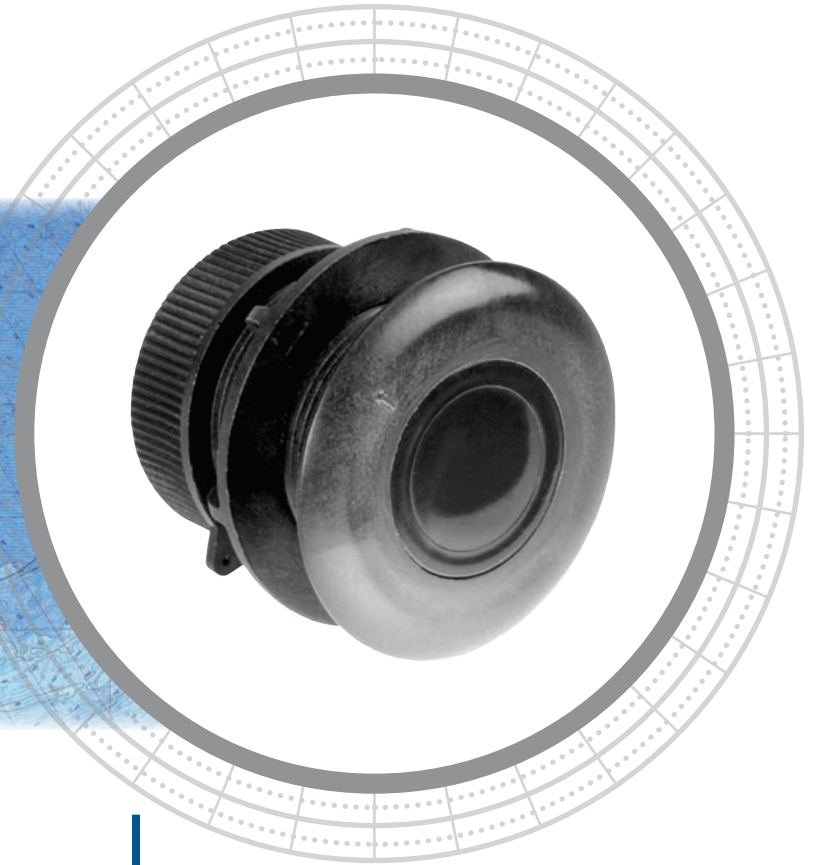


# P8 P208



## Smallest Depth Model

The plastic P8 and P208 are our lowest cost and smallest retractable depth models. As part of our Shorty™ Series, they are designed for boats with low headroom. The low-profile P8 model is nearly flush and minimizes drag with only 5 mm (2/10") extending outside of the hull. The P208 mounts flush, eliminating turbulence for exceptional high-speed performance.

## Thru-Hull Retractable Shorty™ Series Depth Sensors

### Applications

- P8 housing—cruising sailboats and planing powerboats
- P208 housing—racing sailboats and high-speed powerboats

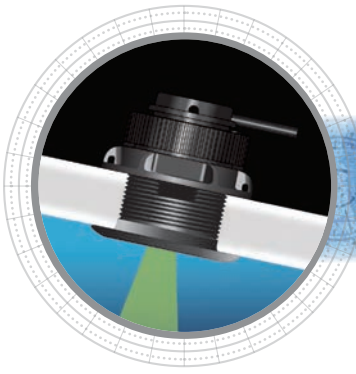
### Features

- Depth only
- Shorty series low-profile is designed for fiberglass and aluminum hulls with low headroom
- Total height is only 76 mm (3.00")
- Right angle cable exit offers low headroom and protection when transducer is stepped on
- Housings are ABYC H-27 compliant
- Self-jacking transducer insert is easily removed from housing for quick service or storage
- Included rubber washer allows tightening of the hull nut to irregular hull surfaces
- P208 housing installation requires special cutter
- Blanking plug is supplied with each unit
- Available in a plastic housing only



*Sensing Technology*

[www.airmar.com](http://www.airmar.com)



## Technical Information

### 200 kHz-A / 200 kHz-BB / 235 kHz-G

Number of Elements and Configuration	○		
Beamwidth (@-3 dB)	13°	14°	14°
RMS Power (W)	300 W	250 W	200 W
TVR	159 dB	156 dB	159 dB
RVR	-188 dB	-186 dB	-192 dB
FOM	-29	-31	-33
Q	26	10	23
Impedance	970 Ω	1,580 Ω	860 Ω

### MAXIMUM DEPTH RANGE

200 kHz-A	200 kHz-BB	235 kHz-G
118 m to 176 m (400' to 600')	118 m to 147 m (400' to 500')	118 m to 1,147 m (400' to 500')

### SPECIFICATIONS

**Weight:** 0.6 kg (1.3 lb)

**Acoustic Window:** Layered plastic epoxy (LPE)

**Hull Deadrise:** 0° to 12° optimum and 20° maximum

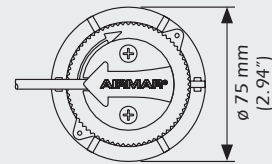
**Hole Diameter:** 51 mm (2")

**Sensor Cable Length:** 10 m (33') standard

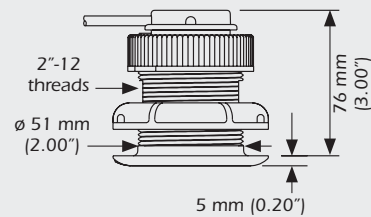
### Options

- Temperature sensor

### DIMENSIONS



#### P8—Low-Profile



#### P208—Flush-Mount

