

February/March 2007

# The **S**OUNDER



## Welcome

Welcome to the **Sounder**, Airmar's bi-monthly newsletter that presents our newest innovative products, offers hands-on installation tips, explains our quality features, and acquaints OEMs, installers and the press with our company's resources.

In this issue, Airmar introduces the CA500 thru-hull underwater camera. Read about the new fairing rebate program and learn about the changes to the B22 housing.

If you know someone who would like to receive this informative newsletter, or if you would like to un-subscribe, contact us at [sales@airmar.com](mailto:sales@airmar.com).

---

# New Thru-Hull Underwater Camera

Airmar has developed a whole new way for boaters to find fish—or simply enjoy the beauty of the underwater world beneath their vessel. Our new-for-2007 CA500 thru-hull video camera gives boaters a real-time view of the underwater world that they can watch right on compatible marine electronics as well as video display monitors.

Simply connect the single cable to any color video display with an NTSC or PAL input and you're ready to view what the fish see. This new Airmar underwater camera system has a range of applications for fishing, diving, surveillance/safety or commercial use.

The CA500 is built with several exclusive features to improve performance, ruggedness and serviceability. At the heart of this sophisticated, waterproof unit is an ultra low lux (0.01), wide angle camera engineered to provide a clear picture and superior viewing—even in low light conditions. To protect the camera and provide a clear, distortion-free image in this challenging environment, an exclusive sapphire viewing window is used. This material was selected for its clarity, as well as its high-resistance to scratching or cracking if it comes into contact with sand or underwater debris.

The CA500 is offered with a choice of a high-impact plastic or stainless steel thru-hull housing. Our exclusive retractable housing design—with patented valve system—

allows the camera unit to be removed for cleaning while the vessel is in the water. The low-profile rugged housing sits virtually flush to the hull and will not interfere with the boats running performance. The compact size of the unit allows it to be installed on vessels ranging from 20 feet up to megayachts.

The estimated retail price of the CA500 is \$495.00 with plastic housing and \$650.00 with stainless steel housing. The first shipments are scheduled for spring 2007.



CA500

---

# Fairing Rebate Program

## For Boat Builders and Professional Installers

High-Performance Fairings offer great advantages when used in the installation of AIRMAR transducers. These include the following:

- The transducer beam is aimed straight toward the bottom, giving stronger echo returns for more accurate depth readings.
- Excellent performance at high-speeds—able to track bottom at 30+ knots.
- Straightens water flow and reduces turbulence for less chance of prop and water intake cavitation.

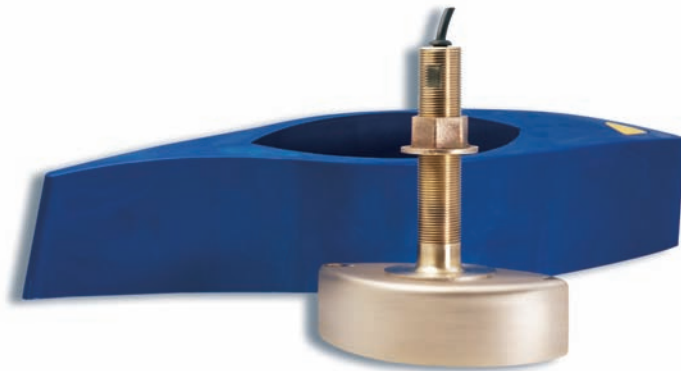
However, based on your feedback, we have developed a High-Performance Fairing rebate program. If you are a boat builder and have designed a transducer pocket in the boat's hull, you can take advantage of our rebate program. Additionally, if you are a professional installer and will be fibreglassing the transducer into the hull, you are also eligible for a rebate of \$34.00 USD per fairing. This rebate only applies to boat builders and professional installers returning B256, B258, and B260 fairings.

Before sending the fairing back to AIRMAR, please contact us at 603-673-9570 and ask for a member of the sales department. We will give you an RMA number and a UPS account number. When we get your fairing(s), your rebate check will be issued.

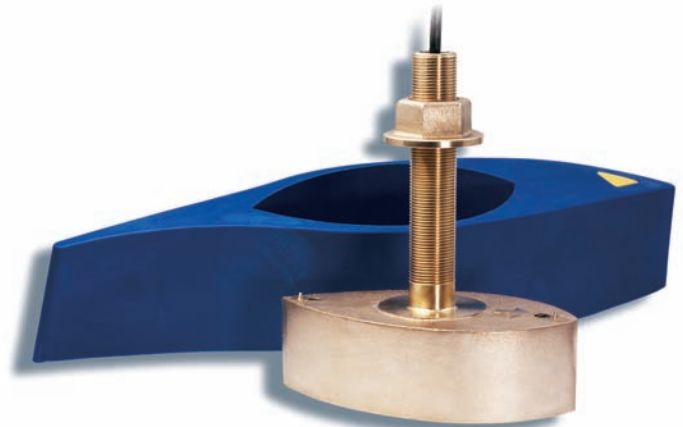
The following information will be necessary when contacting AIRMAR:

- Your company's name and address
- Where the transducer was purchased
- Date unit was purchased

If the transducer is not being installed as described above, a High-Performance Fairing should be used in order to achieve maximum performance.



B258 fairing



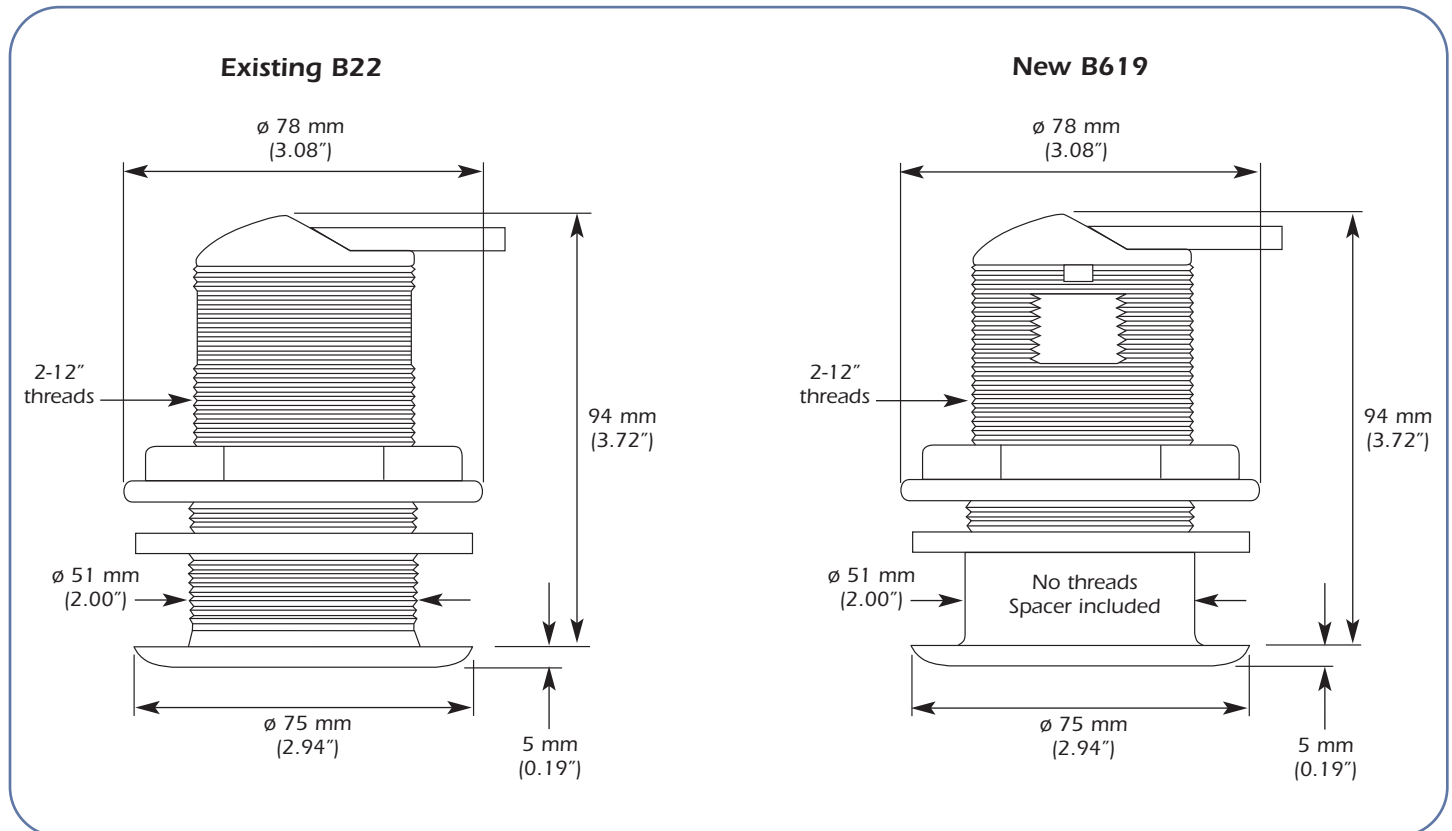
B260 fairing

# Technical Bulletin

## New Housing for B22 Transducers

Effective February 2007, our B22 bronze housing will be replaced by the new B619 housing. The innovative B619 design allows Airmar more flexibility for accommodating various ceramic elements, including the popular Tilted Element™.

The dimensional drawings below show the difference between the B22 housing and the new B619 housing. Please notice there are fewer threads at the bottom of the B619 housing. A spacer and rubber washer will be included in each installation kit.



Additional information on this and any other Airmar product can be obtained from your Airmar sales account manager and by visiting our website at [www.airmar.com](http://www.airmar.com).