

# NMEA Converters Combiner

# U200 USB Gateway

# Data Converter



## NMEA 0183 to USB

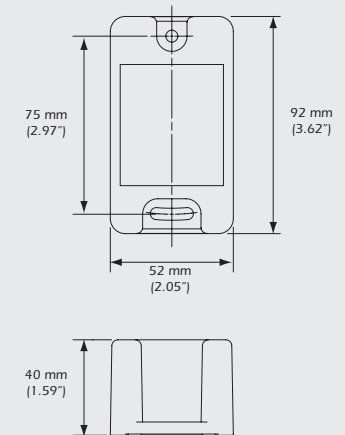
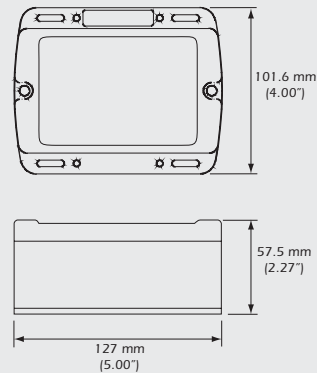
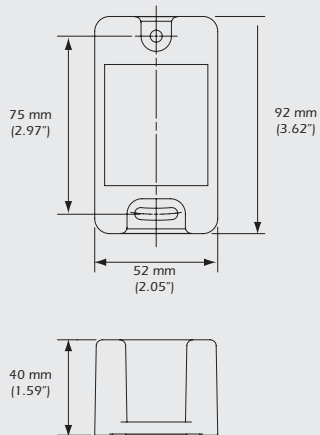
- Allows Airmar sensor data to be displayed on a PC by converting NMEA 0183 to USB format
- For Airmar WeatherStation® Instruments, GPS Receivers, and Heading Sensors
- Baud Rate: 4,800
- Voltage: 9 VDC to 16 VDC

## NMEA 0183 Combiner

- Allows Airmar sensor data to be displayed simultaneously on both an NMEA 0183 display and on a PC
- For Airmar WeatherStation® Instruments, GPS Receivers, and Heading Sensors
- Baud Rate: 38,400
- Voltage: 9 VDC to 32 VDC

## NMEA 2000® to USB

- Allows NMEA 2000® data to be displayed on a PC by converting it to USB format
- For all Airmar NMEA 2000 products
- Baud Rate: 115,000
- Voltage: Powered by USB connection (5 V)



# NMEA 0183 Data Converter



Airmar Sensor

VIA  
NMEA 0183



Converter

Via  
USB



PC or Laptop

# U200 NMEA 2000® USB Gateway



PC or Laptop



Via  
USB

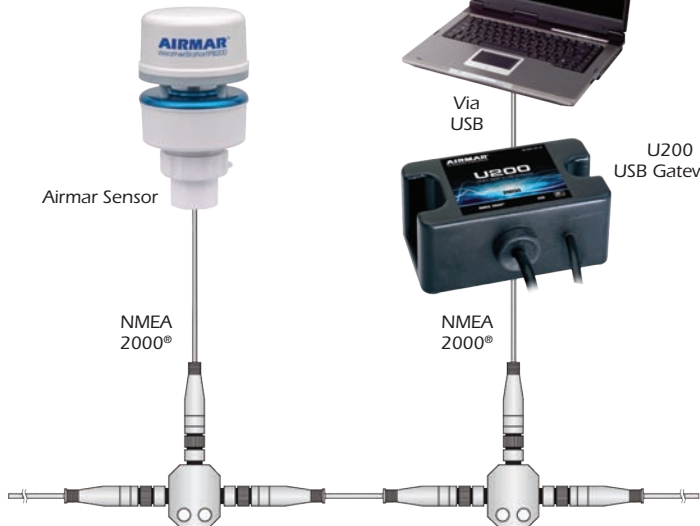


U200  
USB Gateway

Airmar Sensor

NMEA  
2000®

NMEA  
2000®



# NMEA 0183 Combiner



Airmar Sensor

Direct plug  
connection



Combiner

PC or Laptop

Via  
USB



NMEA 0183 IN



DST800  
Smart™ Sensor

Via  
NMEA 0183



NMEA 0183  
display

