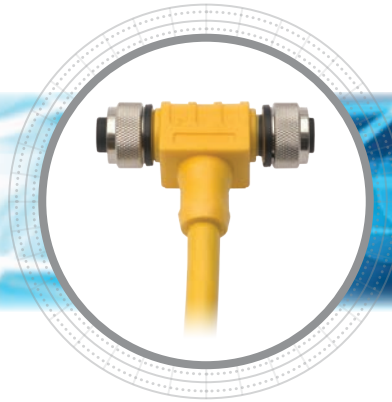
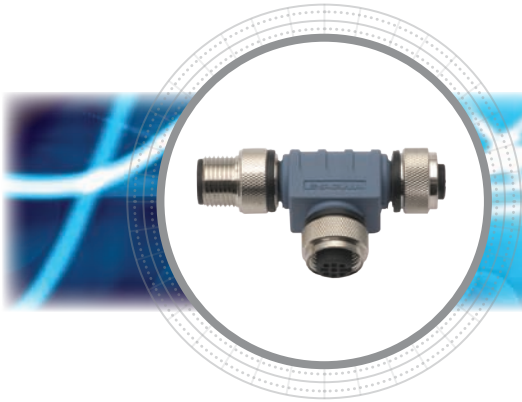


Micro-Tee Connector

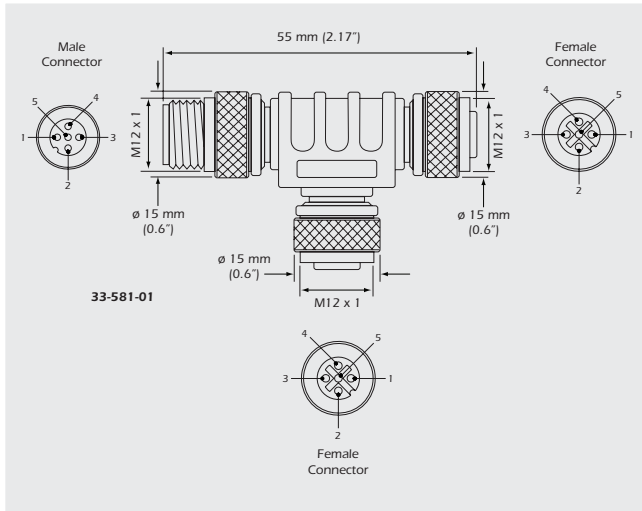
NMEA 2000® Accessories Power-Tee Cable

Termination Resistors



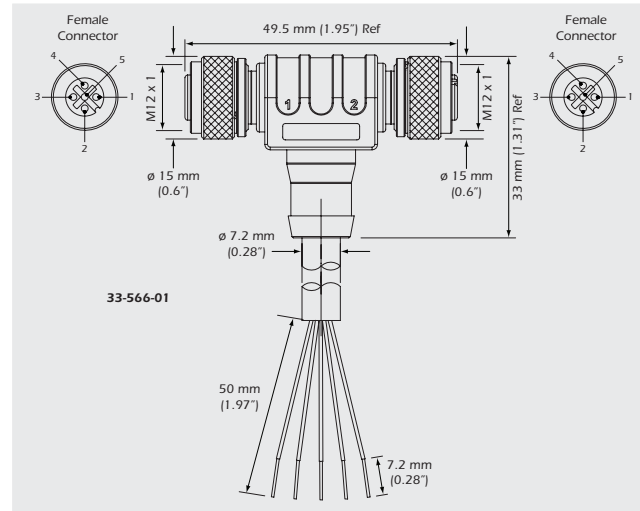
Micro-Tee Connectors

- Allows for a drop connection
- Universal male and female connections



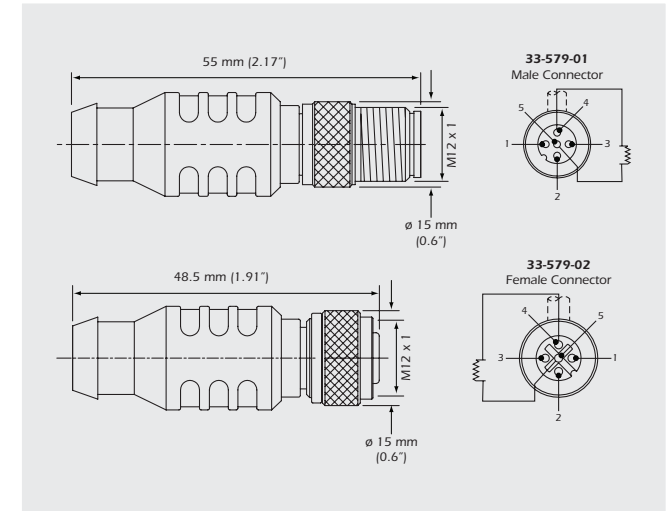
Power-Tee Cables

- Gives power to the NMEA 2000® network
- 6 m (20') cable length



Termination Resistors

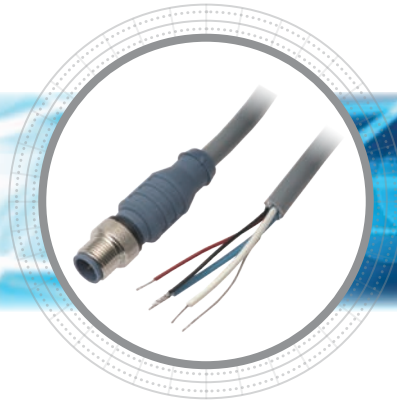
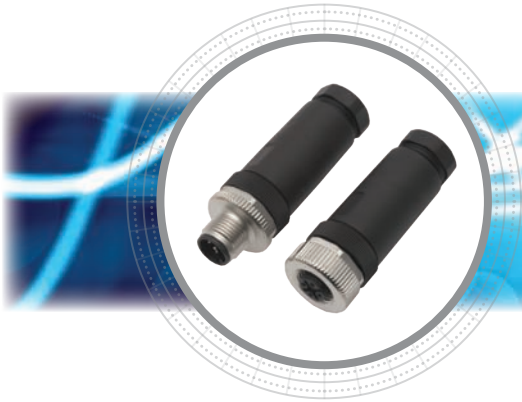
- Terminates both ends of a network
- Male and female connector versions



NMEA 2000® Accessories

- Meets NMEA 2000® specifications
- IP67 waterproof rating
- Gold connection contacts
- Keyed connectors for easy installation
- NMEA 2000® Wiring:
 - Bare: Shield
 - Red: Positive Voltage
 - Black: Negative Voltage
 - White: CAN/NMEA +
 - Blue: CAN/NMEA -





Field-Attachable Connectors

- Used with single-ended cordsets
- Easily installed in the field

Single-Ended Cordsets

- Used with field-attachable connectors
- Available in 6 meter cable length

Double-Ended Cordsets

- Male and female cable ends
- Available in 3 and 6 meter cable lengths

