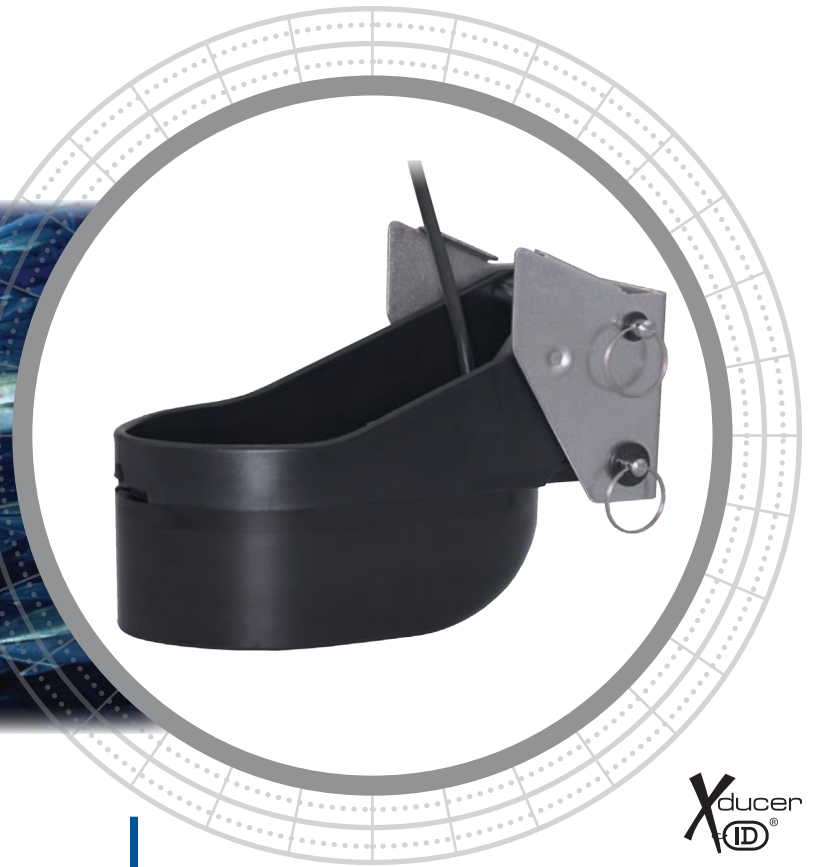


TM258



New Look and Better High-Speed Performance

The industry's first 1 kW transom-mount transducer has a new high-performance mounting bracket. The sleek, new bracket makes the TM258 easier to install. Additionally, its streamlined shape will give you improved high-speed performance up to 30 knots (35 MPH).

The TM258 will make 600 W sounders respond like a more powerful model. Get 16 times the sensitivity compared with a standard transom-mounted transducer. The TM258 packs four 50 kHz/200 kHz elements to focus narrow beams at both frequencies, so you'll see crisp targets and clear bottom definition.

1 kW

Entry-Level
Transom-Mount Transducer

Fishing Applications

- Inshore and blue-water trolling
- Deep-water bottom and structure fishing up to 500 m (1,640')
- The versatile 1 kW transducer for all types of fishing

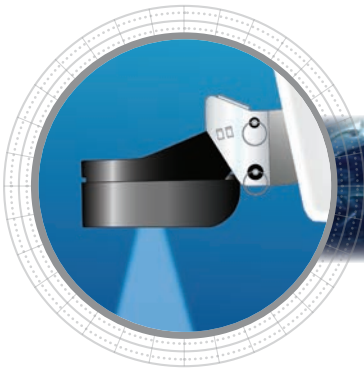
Features

- Depth and new fast-response water-temperature sensor
- Elliptical beam covers larger bottom area
- Fits existing TM256 and TM258 models
- Bracket kick-up assembly locks in the "up" position and will not damage the transom
- Accommodates transom angles between 3° and 21°
- Urethane housing
- Boat Size: 8 m to 12 m (25' to 40')




Sensing Technology

www.airmar.com



Technical Information

50/200 kHz-BIq

| Number of Elements and Configuration |  | |
|--------------------------------------|-----------------------------------------------------------------------------------|---------|
| Beamwidth (@-3 dB) | 15° x 21° | 3° x 5° |
| RMS Power (W) | 1 kW | 1 kW |
| TVR | 161 dB | 173 dB |
| RVR | -174 dB | -183 dB |
| FOM | -17 | -9 |
| Q | 9 | 15 |
| Impedance | 225 Ω | 200 Ω |

MAXIMUM DEPTH RANGE

| 50 kHz | 200 kHz |
|--------------------------------------|------------------------------------|
| 441 m to 647 m (1,500' to 2,200') | 206 m to 294 m (700' to 1,000') |

BEAM DIAMETER VS DEPTH

| Depth | 50 kHz | 200 kHz |
|----------------|----------------------------|-------------------------|
| 9 m (30') | 2.4 m x 3.3 m (8' x 11') | 0.6 m x 0.9 m (2' x 3') |
| 30 m (100') | 8 m x 12 m (25' x 40') | 1 m x 2.7 m (5' x 9') |
| 122 m (400') | 30 m x 50 m (98' x 163') | 6 m x 11 m (20' x 35') |
| 305 m (1,000') | 74 m x 124 m (245' x 407') | 16 m x 26 m (52' x 87') |

TRANSDUCER COMPARISON

| Model | Power | Rating | Performance Increase |
|--------------|-------------|---------------|---------------------------------------------------------------------------------------|
| P66 | 600 W | Good | Benchmark model for comparison |
| TM258 | 1 KW | Better | 25 times more sensitive at 50 kHz 16 times more sensitive at 200 kHz |
| TM260 | 1 KW | Superb | 50 times more sensitive at 50 kHz 13 times more sensitive at 200 kHz |

Due to the wide beams of the P48W and TM270W, they have been omitted from the table.

SPECIFICATIONS

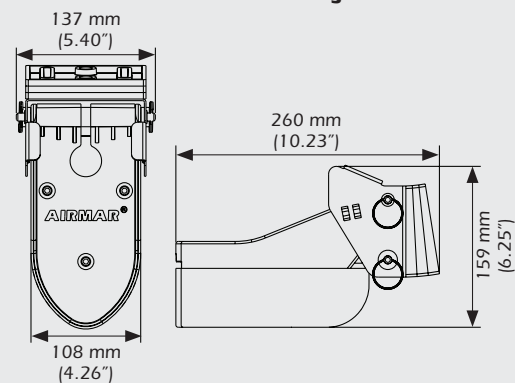
Weight: 3.6 kg (7.9 lb)

Hull Deadrise: Up to 25°

Acoustic Window: Urethane

DIMENSIONS

TM258 Housing



TM258 Transducer

