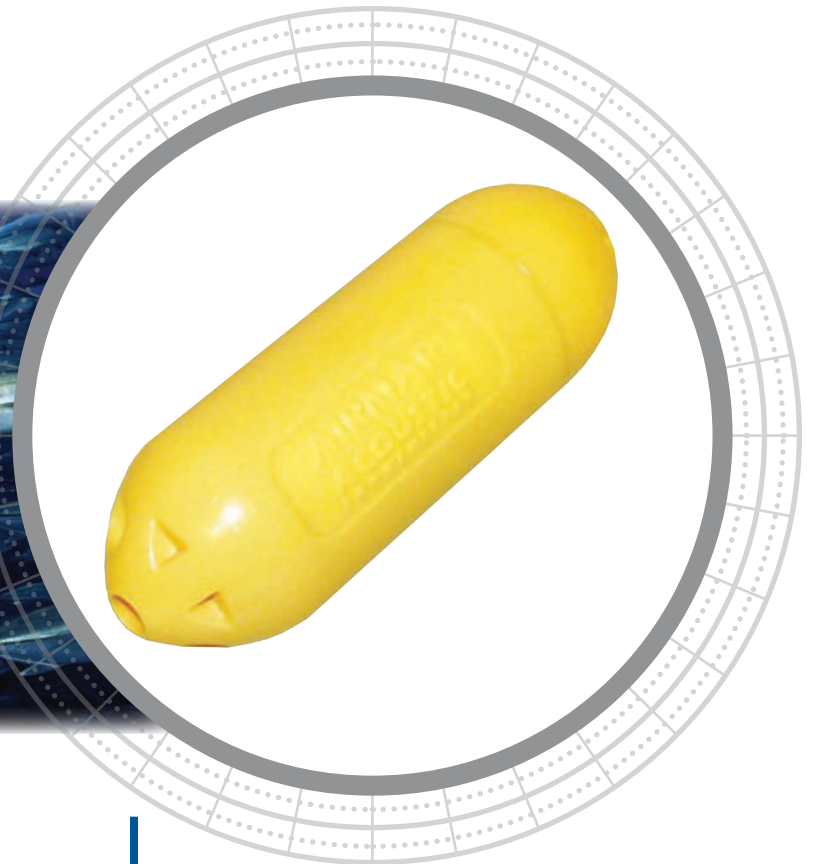


Gillnet Pinger

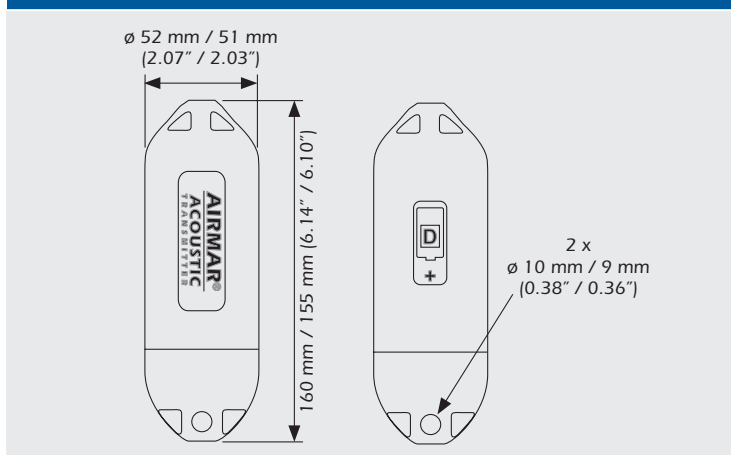


Designed With Industry Leading Researchers!

The Gillnet Pinger is designed to save the lives of marine mammals, particularly the harbor porpoise, by warning that a gillnet is present. Our streamlined, rugged design with double o-rings and a single battery provide a virtually maintenance-free device.

Airmar pingers are active devices. They emit low-level sonar pulses that can be detected by mammals within a 91 m (300') radius. When attached to the top of a gillnet at regular intervals, mammals can avoid becoming entangled.

DIMENSIONS



10 kHz

Acoustic Transmitter

Features

- Over one-year of continuous operation from a single "D" cell alkaline battery
- Designed for placement every 91 m (300') at bridles and net ends
- Can withstand depths over 150 fathoms
- Weighs just 0.4 kg (0.9 lb) with battery
- Housing construction from impact-resistant plastic alloy for durability
- Compact-size and competitively priced

Operating Specifications

- Frequency: 10 kHz
- Duration: 300 ms
- Repeat Interval: 4 s
- Sound Level: 132 dB ($1 \mu\text{Pa}_{\text{ms}}$ @ 1 m)
- Battery Life: At least one year
- Power Source: One D-cell alkaline battery

©Airmar Technology Corporation

Gillnet_Pinger_rE 05/05/10

AIRMAR
TECHNOLOGY CORPORATION

Sensing Technology

REGISTERED TO
ISO
9001:2008



As Airmar constantly improves its products, all specifications are subject to change without notice. All Airmar products are designed to provide high levels of accuracy and reliability, however they should only be used as aids to navigation and not as a replacement for traditional navigation aids and techniques. Other company or product names mentioned in this document may be trademarks or registered trademarks of their respective companies, which are not affiliated with Airmar.

www.airmar.com