

WX Series



Photo courtesy of MOBA

WX Ultrasonic WeatherStation® Instruments for Land Applications

Delivering a Compact, Affordable Instrument
for Informed Decision-Making

Available Models: 110WX, 150WX, 200WX

Whether you are harvesting crops, operating equipment, preparing for bad weather or responding to a hazardous event; understanding the weather is important. The WX Series allows users to make informed decisions based on site specific information, resulting in improved efficiency, reduced risks and overall cost savings. Various model options are available depending on the application and requirements.

The WX Series WeatherStation Instruments offer a truly best-in-class solution at a better price point compared to any other weather monitoring system on the market today!



Actual
Size

FEATURES

- Model 110WX – Measures apparent wind speed and angle, barometric pressure, air temperature, relative humidity, calculated dew point, heat index and wind chill temperature
- Models 150WX and 200WX – Includes all 110WX functionality plus internal compass and GPS (for true wind speed and direction), GPS position, speed over ground, course over ground
- Model 200WX – Best-in-class dynamic stabilization via three-axis compass and three-axis rate gyro
- UV stabilized, compact housing

 **AIRMAR**
TECHNOLOGY CORPORATION

Sensing Technology

Product Models to Satisfy Multiple Weather Needs



Now available on iTunes — OnSiteWX
The innovative App for real-time weather data!



110WX



150WX



200WX

	Apparent Wind Model		
	Recommended for Stationary Applications	Recommended for Moving Vehicle Applications	Recommended for Dynamic Moving Vehicle Applications
Apparent wind speed and angle	✓	✓	✓
True wind speed and direction		✓	✓
Barometric Pressure	✓	✓	✓
Ultrasonic wind readings up to 90 mph (78 knots, 40 m/s)	✓	✓	✓
Air temperature plus calculated wind chill	✓	✓	✓
10 Hz GPS (Position, COG, SOG)		✓	✓
Two-axis solid state compass		✓	
Three-axis accelerometer for pitch and roll		✓	✓
Three-axis solid-state compass with dynamic stabilization: Better than 1° static compass accuracy Best-in-class 2° dynamic compass accuracy			✓
Three-axis rate gyros provide rate-of-turn data			✓
Best-in-class pitch and roll accuracy			✓
Optional field-serviceable relative humidity Calculated dew point Calculated heat index	✓	✓	✓
Output options include: NMEA 0183 (RS422) and NMEA2000® (CAN Bus) NMEA 0183 (RS232) and NMEA2000® (CAN Bus)	✓	✓	✓

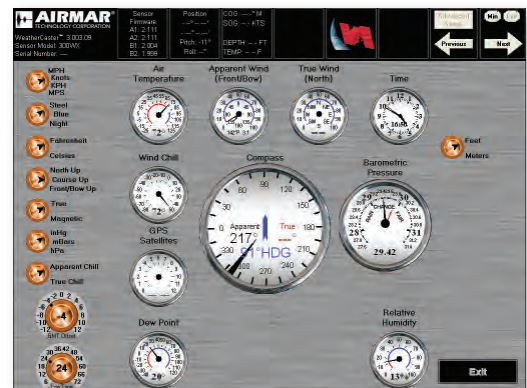
WeatherCaster™ Software

Developer Assistance

- Enable/disable functionality
- Optimize communications bandwidth NMEA 0183 (RS232, RS422)
- Change sampling rate (output interval)

Field Installation Assistance

- Enable/disable functionality
- Sensor orientation
- Compass calibration
- Temperature offset
- Select specific device on a NMEA2000® network
- Alarms for wind speed and barometric pressure
- Altitude offset
- More accurate GPS position in 2D mode
- More accurate BP reading



Achieving Best-in-Class Product Specifications

SPECIFICATIONS

Wind Speed Range:

— 0 knots to 78 knots (0 MPH to 90 MPH, 0 m/s to 40 m/s)

Wind Speed Resolution:

— 0.1 knot (0.1 MPH, 0.1 m/s)

Wind Speed Accuracy @ 0°C to 55°C (32°F to 131°F), no precipitation*:

— Low Wind Speeds:

0-10 knots; 1 knot RMS +10% of reading
(0 MPH to 11.5 MPH; 1.1 MPH + 10% of reading)
(0 m/s to 5 m/s; 0.5 m/s + 10% of reading)

— High Wind Speeds:

10-78 knots; 2 knots RMS or 5%, whichever is greater
(11.5 MPH to 90 MPH; 2.3 MPH or 5%, whichever is greater)
(5 m/s to 40 m/s; 1 m/s or 5%, whichever is greater)

Wind Speed Accuracy in wet conditions**:

— 5 knots RMS (5.7 MPH RMS, 2.5 m/s RMS)

Wind Direction Range: 0° to 360°

Wind Direction Resolution: 0.1°

Wind Direction Accuracy @ 0°C to 55°C (32°F to 131°F), no precipitation*:

— Low Wind Speeds (5° RMS typical):

4-10 knots (4.6 MPH to 11.5 MPH, 2 m/s to 5 m/s)

— High Wind Speeds (2° RMS typical):

>10 knots (>11.5 MPH, >5 m/s)

Wind Direction Accuracy in wet conditions** (8° RMS Typical):

>8 knots (>9.2 MPH, >4 m/s)

Compass Accuracy:

— 1° RMS when level—(150WX only)

— 1° static heading accuracy; 2° dynamic heading accuracy—200WX only

Pitch and Roll Range / Accuracy: ±50° / <1°—150WX & 200WX

Air Temperature Range: -40°C to 55°C (-40°F to 131°F)

Air Temperature Resolution: 0.1°C (0.1°F)

Air Temperature Accuracy:

±1.1°C (±2°F)* @ >4 knots wind (>4.6 MPH wind) (>2 m/s wind)

Barometric Pressure Range:

300 mbar to 1100 mbar (24 inHg to 33 inHg, 800 hPa to 1100 hPa)

Barometric Pressure Resolution: 0.1 mbar (0.029 inHg, 0.1 hPa)

Barometric Pressure Accuracy:

±1 mbar (±0.029 inHg, ±1 hPa) when altitude correction is available

Relative Humidity Range: 10% to 95% RH

Relative Humidity Accuracy*: ±5% units RH

GPS Position Accuracy:

3 m (10') with WAAS/EGNOS (95% of the time)—150WX & 200WX

Operating Temperature Range: -25°C to 55°C (-13°F to 131°F)

Supply Voltage: 9 VDC to 40 VDC

Supply Current (@ 12 VDC):

— (<50 mA) <0.6W —110WX

— (<85 mA) <1.0W —150WX

— (<105 mA) <1.25W —200WX

Weight: 300 grams (0.8 lb)

Communication Interface: NMEA 0183 (RS422 or RS232) and NMEA2000® (CAN bus)***

Mounting Thread Size on Base: Standard 1"-14 UNS (3/4" NPT optional)

Certifications and Standards:

CE, IPX6 (Relative Humidity/IPX4), RoHS, IEC61000-4-2, IEC60945

IEC60950_1C, IEC60950_22A, EN55022, EN55024, EN15014982

RMS—Root Mean Square

*When the wind speed is less than 2 m/s (4.6 MPH) and/or air temperature is below 0°C (32°F), wind, temperature, and relative humidity readings will be less accurate.

**Wet conditions include moisture, rain, frost, dew, snow, ice and/or sea spray in the wind channel.

***Airmar has made the address claiming modifications to enable compatibility with the ISO 11783 communication protocol for the agriculture industry – that is based on the SAE J1939 protocol.

PART NUMBERS

110WX: 44-820-1-01, RH, NMEA 0183 (RS422) and NMEA2000® (CAN Bus)

110WX: 44-823-1-01, NMEA 0183 (RS422) and NMEA2000® (CAN Bus)

110WX: 44-843-1-01, RH, NMEA 0183 (RS232) and AG (CAN Bus)

150WX: 44-832-1-01, RH, NMEA 0183 (RS422) and NMEA2000® (CAN Bus)

150WX: 44-833-1-01, NMEA 0183 (RS422) and NMEA2000® (CAN Bus)

150WX: 44-834-1-01, RH, NMEA 0183 (RS232) and AG (CAN Bus)

200WX: 44-835-1-01, NMEA 0183 (RS422) and NMEA2000® (CAN Bus)

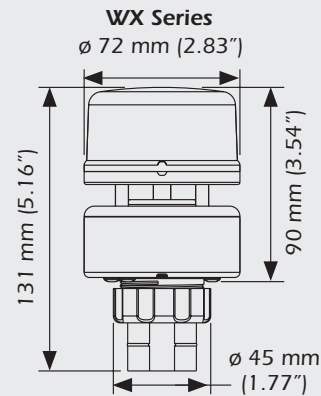
200WX: 44-837-1-01, RH, NMEA 0183 (RS422) and NMEA2000® (CAN Bus)

200WX: 44-847-1-01, NMEA 0183 (RS232) and NMEA2000® (CAN Bus)

* Cables sold separately

RH— Relative Humidity

DIMENSIONS



DATA OUTPUT PROTOCOL

NMEA 0183 Sentence Structure

\$GPDTM..... GPS Datum Reference
 \$GPGGA..... GPS Fix Data
 \$GPGLL..... Geographic Position—Latitude and Longitude
 \$GPGSA..... GNSS DOP and Active Satellite
 \$GPGSV..... Satellites in View
 \$GPRMC..... Recommended Minimum GNSS
 \$GPVTG..... COG and SOG
 \$GPZDA..... Time and Date
 \$HCHDG..... Heading, Deviation, and Variation
 \$HCHDT..... True Heading
 \$HCTHS..... True Heading and Status
 \$TIROT..... Rate of Turn
 \$WIMDA..... Meteorological Composite
 \$WIMWD..... Wind Direction and Speed
 \$WIMWV..... Wind Speed and Angle
 \$WIMWR..... Relative Wind Direction and Speed
 \$WIMWT..... True Wind Direction and Speed
 \$YXXDR..... Transducer Measurements

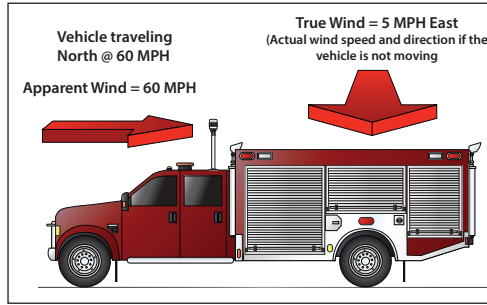
NMEA2000® Output Message Structure

59392..... ISO Acknowledgement
 060928..... ISO Address Claim
 126208..... Acknowledge Group Function
 126464..... PGN List
 126992..... System Time
 126996..... Product Information
 126998..... Configuration Information
 127250..... Vessel Heading
 127251..... Rate of Turn
 127257..... Attitude
 127258..... Magnetic Variation
 129025..... Position and Rapid Update
 129026..... COG and SOG, Rapid Update
 129029..... GNSS Position Data
 129033..... Time and Date
 129044..... Datum
 129538..... GNSS Control Status
 129539..... GNSS DOPs
 129540..... GNSS Sats in View
 130306..... Wind Data
 130310..... Environmental Parameters
 130311..... Environmental Parameters
 130312..... Temperature
 130313..... Humidity
 130314..... Actual Pressure
 130323..... Meteorological Station Data

Understanding True and Apparent Wind

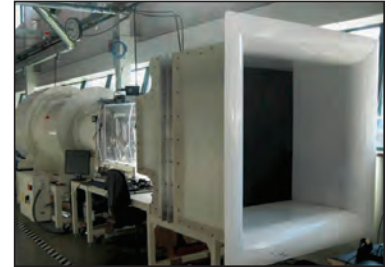
Virtually all mechanical and ultrasonic anemometers report apparent wind speed and direction. The Airmar WX Series is unique because it calculates both true and apparent wind speed and direction. These wind readings are the same if the unit is mounted in a fixed location. However, if the WX Series is mounted on a moving vehicle, the apparent wind is the wind you would feel on your hand if you held it out the window while going down the highway. Since the WX Series has a built in GPS and compass, it calculates the true wind based upon the apparent wind, speed of the vehicle, and compass heading.

True wind information is significant for numerous applications on hazardous response vehicles. True wind speed and direction is also mission-critical. When en route to an emergency situation, first responders can use the true wind readings to predict wind conditions at the disaster site before they even arrive, giving vital information for planning operations and staging apparatus.

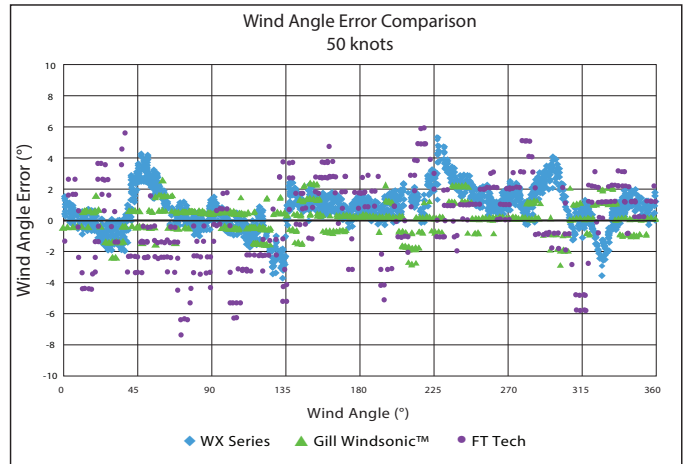
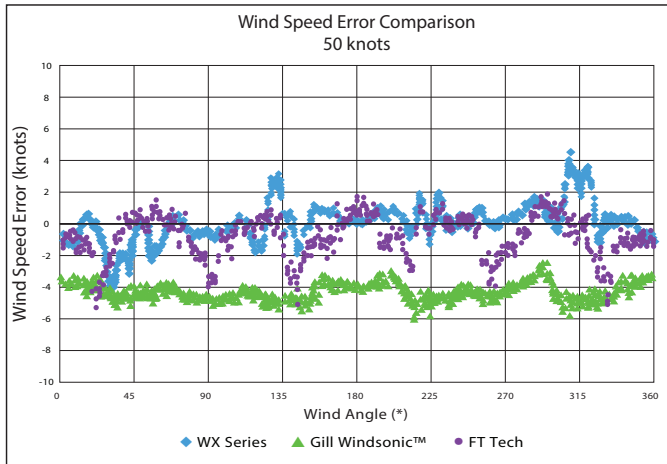


Airmar's WX Series products are the only all-in-one unit to offer true and apparent wind speeds without additional sensors.

Each WeatherStation Instrument is factory calibrated in a wind tunnel at our state-of-the-art facility located in Milford, New Hampshire, USA.



Performing Above and Beyond Competitive Products on the Market



www.airmar.com



Sensing Technology