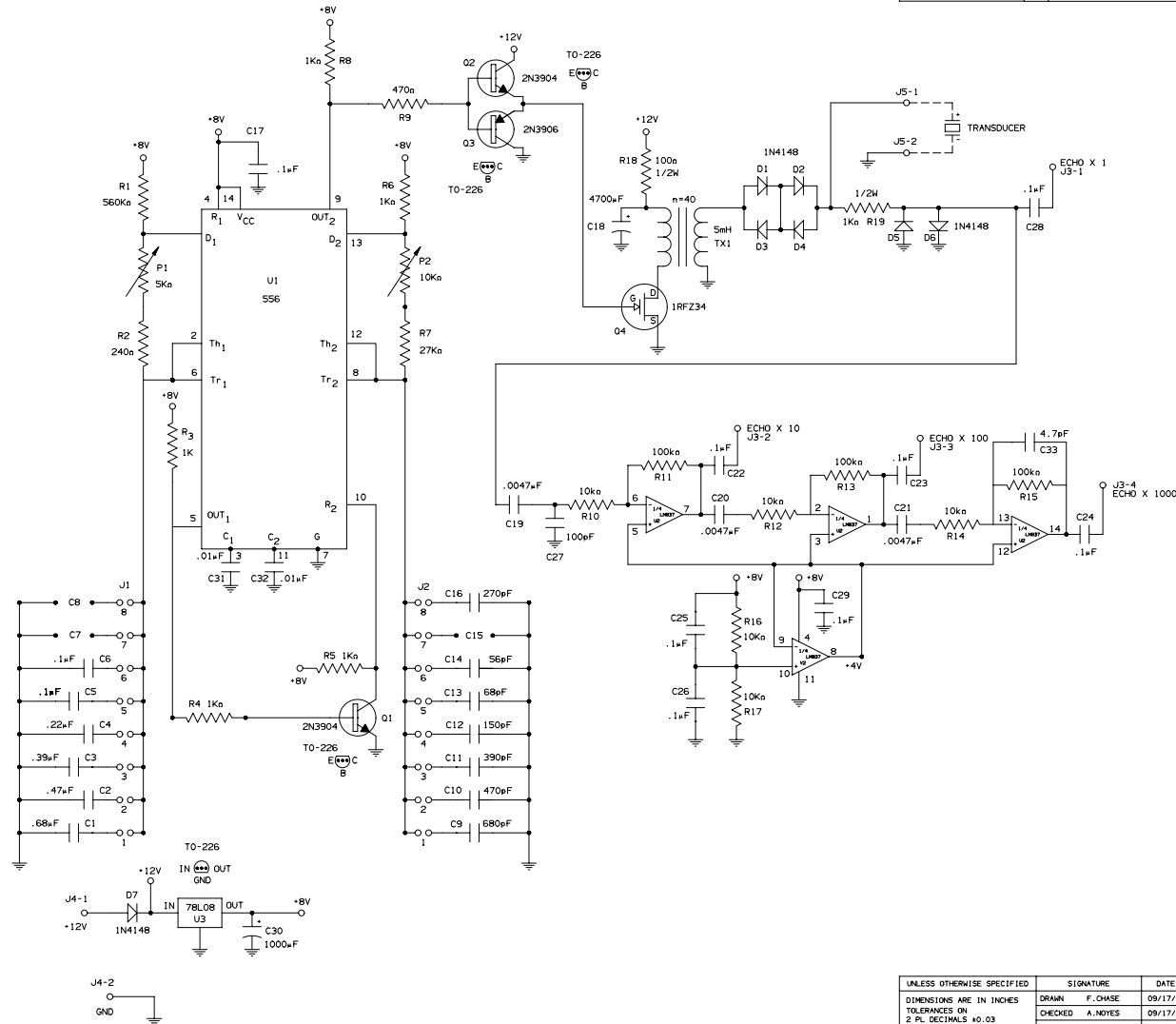


THIRD ANGLE PROJECTION		REVISIONS			
REV	DESCRIPTION	ECO NO.	DATE	CHK/CHK	
01	RELEASE TO PRODUCTION	03E0076	02/25/03	SFH/ATB	



UNLESS OTHERWISE SPECIFIED DIMENSIONS ARE IN INCHES TOLERANCES ON 2 PL. DECIMALS ±0.03 3 PL. DECIMALS ±0.010 ANGLES ± 1/2° FRACTIONS ± 1/32 SURFACE FINISH 250	SIGNATURE	DATE	AIRMAR AIRMAR TECHNOLOGY CORPORATION 35 HADDAMSBOROUGH DR MILFORD NH 03055-4613 USA TEL: 603-673-9570 FAX: 603-673-4624
	DRAWN F. CHASE	09/17/97	
	CHECKED A. NOYES	09/17/97	
	APPROVED C. R. S.	09/30/97	
MATERIAL:	TITLE DEVELOPMENT KIT, AIR TRANSDUCER		SIZE D
SCALE: FULL SHEET 1 OF 1		NUMBER 25-075-56 REV 01	DO NOT SCALE DRAWING